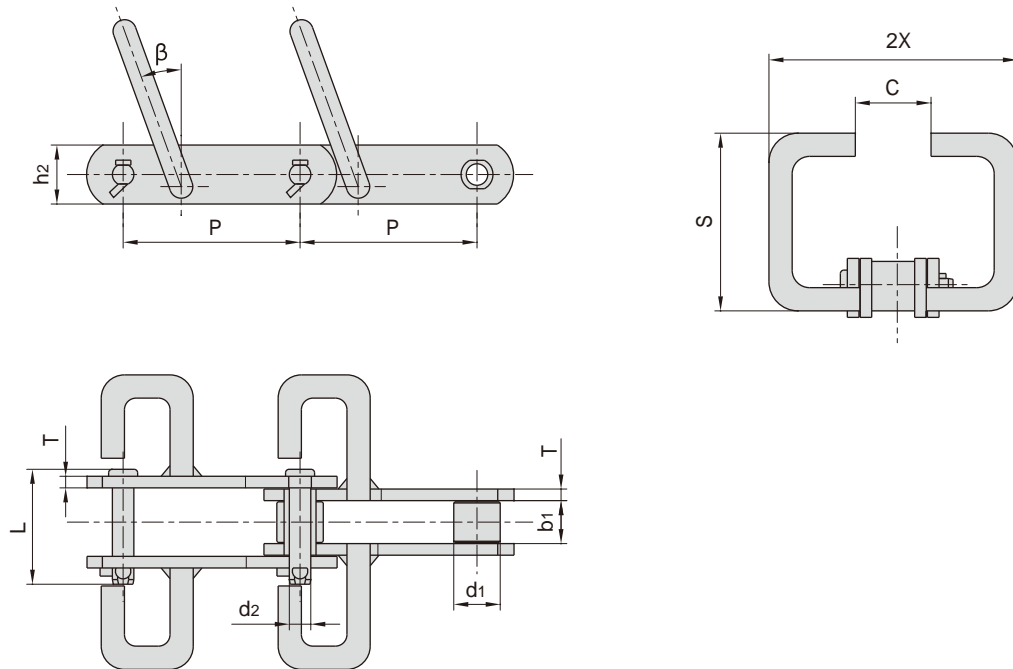


刮板输送链 Scraper conveyor chains

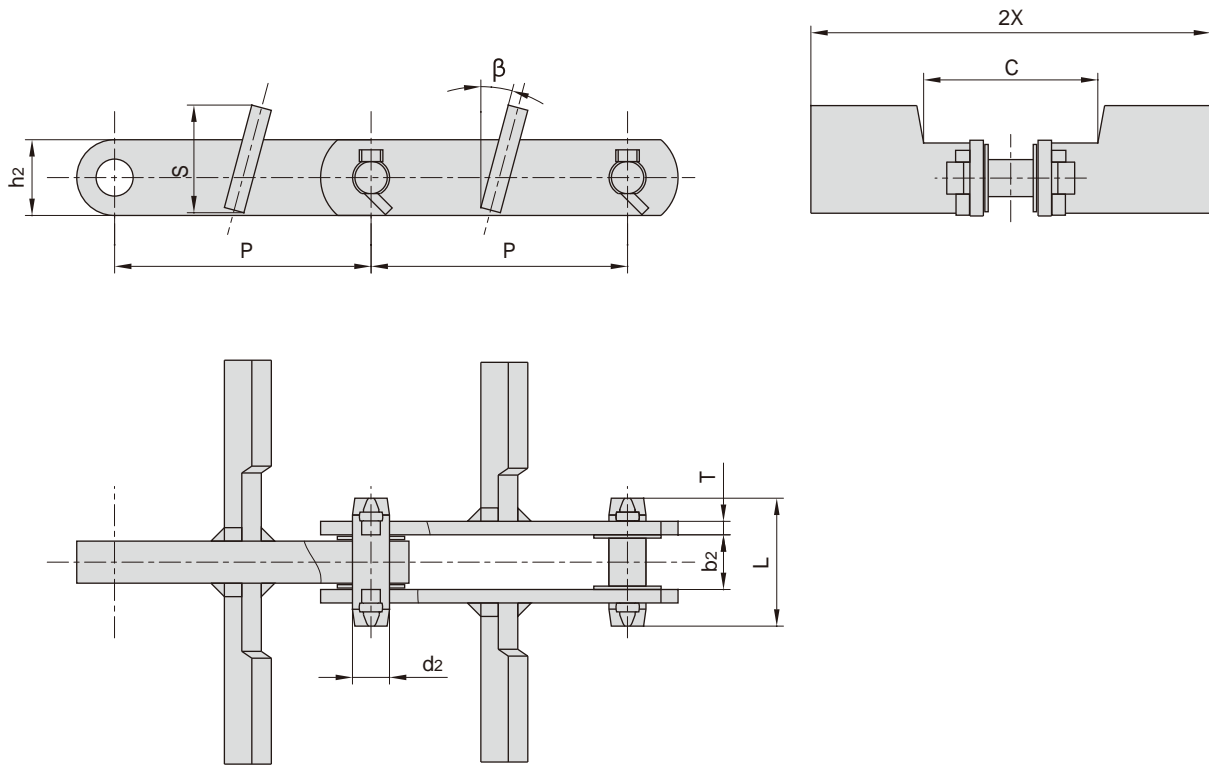
行进方向
Direction of travel

东华链号 Donghua Chain No.	节距	滚子直径	内节内宽	销轴直径	销轴长度	链板高度	链板厚度	附板尺寸				抗拉强度	每米重量
	Pitch	Roller diameter	Width between inner plates	Pin diameter	Pin length	Plate depth	Plate thickness	Attachment dimension				Tensile strength	Weight per meter
	P	d _{1 max}	b ₁	d ₂	L	h ₂	T	S	2X	C	β	Q	q
	mm	mm	mm	mm	mm	mm	mm	mm	mm	mm		kN/lbf	kg/m
P152F51	152.4	40.0	36.0	18.5	95.5	50.8	10.0	175.0	310.0	110.0	20°	170/38242	24.9
P152F221	152.4	63.0	36.5	15.5	86.0	20.0	8.0	91.0	240.0	-	0°	200.0/44960	13.5
P152F222	152.4	36.0	36.5	15.5	86.0	50.0	8.0	71.0	175.0	-	0°	200.0/44960	12.4
P152F232	152.4	36.0	36.5	15.5	86.0	50.0	8.0	100.0	256.0	-	0°	240.0/53952	14.2

刮板输送链 Scraper conveyor chains

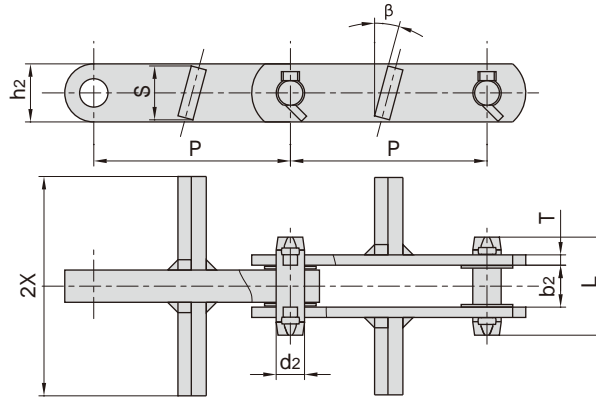
行进方向
Direction of travel
←



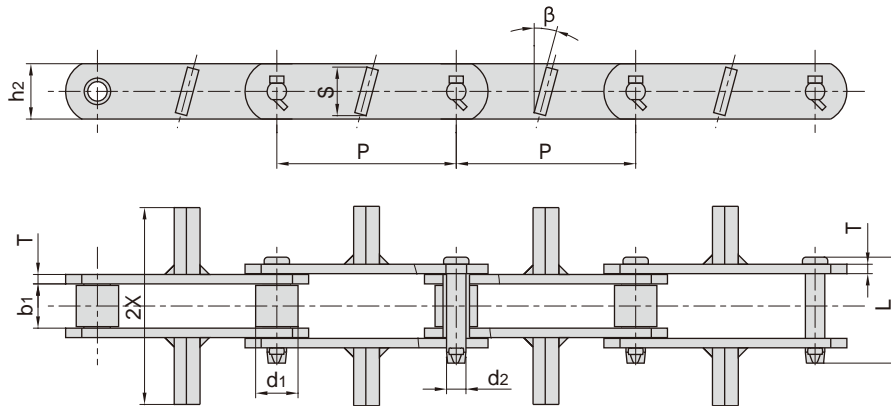
东华链号 Donghua Chain No.	节距 Pitch	外节内宽 Width between outer plates	销轴直径 Pin diameter	销轴长度 Pin length	链板高度 Plate depth	链板厚度 Plate thickness	附板尺寸 Attachment dimension				抗拉强度 Tensile strength	每米重量 Weight per meter
	P	b ₂	d ₂	L	h ₂	T	S	2X	C	β	Q	
	mm	mm	mm	mm	mm	mm	mm	mm	mm		kN/lbf	kg/m
P150F17A	150.0	25.0	18.5	67.3	38.1	10.0	115.0	180	112	15°	150/33743	14.50
P152F45	152.4	32.5	22.0	76.0	45.0	8.0	64.0	326	104	15°	260/58489	20.40
P152F45A	152.4	32.5	22.0	76.0	45.0	8.0	83.0	286	106	15°	260/58489	20.80
P152F45B	152.4	32.5	22.0	76.0	45.0	8.0	64.0	276	106	15°	260/58489	18.00
P152F45C	152.4	32.5	22.0	76.0	45.0	8.0	64.0	220	106	15°	260/58489	16.50
P152F47	152.4	34.0	22.0	85.0	45.0	12.0	81.0	400	106	15°	400/89983	30.90
P152F194	152.4	32.5	22.0	80.0	45.0	10.0	65.5	270	105	15°	240.0/50355	15.91
PR152F2	152.4	36.5	15.9	87.0	45.0	8.0	60.0	180	120	15°	253.6/57009	13.20
P152F226	152.4	32.5	22.0	80.0	42.0	10.0	76.8	270	79	15°	260.0/58448	20.10
P200F29	200.0	40.5	35.0	104.0	80.0	13.0	168.0	420	112	15°	530/119227	50.60
P200F29A	200.0	40.5	35.0	104.0	80.0	13.0	148.0	430	112	15°	530/119227	53.90
P200F35	200.0	33.0	26.5	77.0	50.0	10.0	145.5	430	210	15°	400/89983	28.93

刮板输送链 Scraper conveyor chains

行进方向
Direction of travel

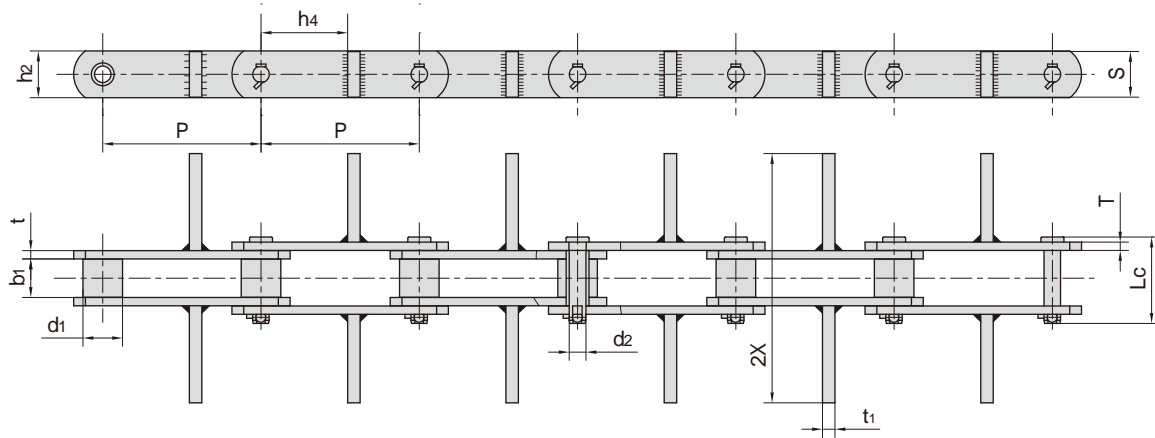


东华链号 Donghua Chain No.	节距 Pitch	外节内宽 Width between outer plates	销轴直径 Pin diameter	销轴长度 Pin length	链板高度 Plate depth	链板厚度 Plate thickness	附板尺寸 Attachment dimension			抗拉强度 Tensile strength	每米重量 Weight per meter
	P	b ₂	d ₂	L	h ₂	T	S	2X	β	Q	q
	mm	mm	mm	mm	mm	mm	mm	mm		kN/lbf	kg/m
P101.6F20	101.6	16.5	17.46	53.7	38.0	6.0	34.0	210.0	45°	100/22496	7.26
P150F17C	150.0	25.0	18.50	67.3	38.1	10.0	36.0	168.0	15°	150/33743	10.60
P152F2	152.4	33.3	22.00	76.0	45.0	8.0	38.0	180.0	20°	260/58489	12.10
P152F45D	152.4	32.5	22.00	76.0	45.0	8.0	42.0	170.0	15°	260/58489	13.50
P152F45E	152.4	32.5	22.00	76.0	45.0	8.0	42.0	280.0	15°	260/58489	16.20
P152F45F	152.4	32.5	22.00	76.0	45.0	8.0	42.0	227.0	15°	260/58489	14.90
P152F46	152.4	40.8	25.00	86.0	50.0	9.0	49.0	290.0	15°	300/67487	20.80

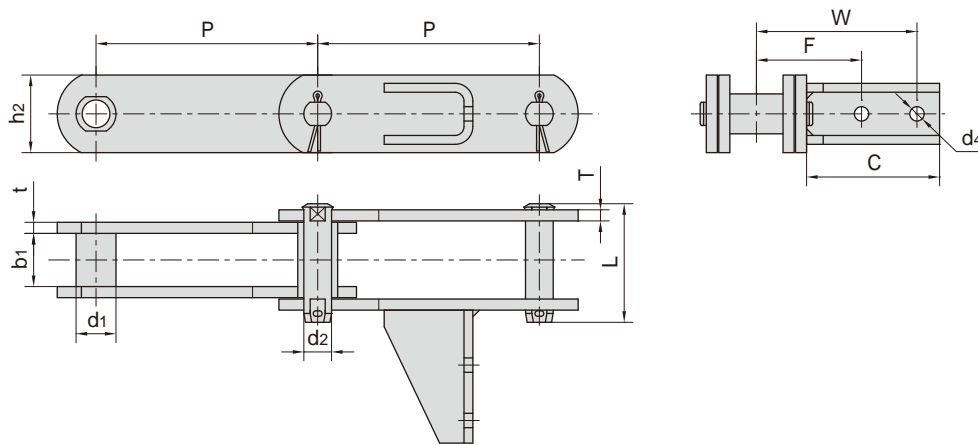


东华链号 Donghua Chain No.	节距 Pitch	内节内宽 Width between inner plates	滚子直径 Roller diameter	销轴直径 Pin diameter	销轴长度 Pin length	链板高度 Plate depth	链板厚度 Plate thickness	附板尺寸 Attachment dimension			抗拉强度 Tensile strength	每米重量 Weight per meter
	P	b ₁	d ₁	d ₂	L	h ₂	T	S	2X	β	Q	q
	mm	mm	mm	mm	mm	mm	mm	mm	mm		kN/lbf	kg/m
P152F48	152.4	37.6	36.0	16.5	90.0	47.0	8.0	42.0	170.0	15°	180/40492	12.1
RF6205MF3	152.4	37.1	38.1	15.9	88.0	45.0	8.0	42.0	170.0	15°	170/38242	12.4

刮板输送链 Scraper conveyor chains

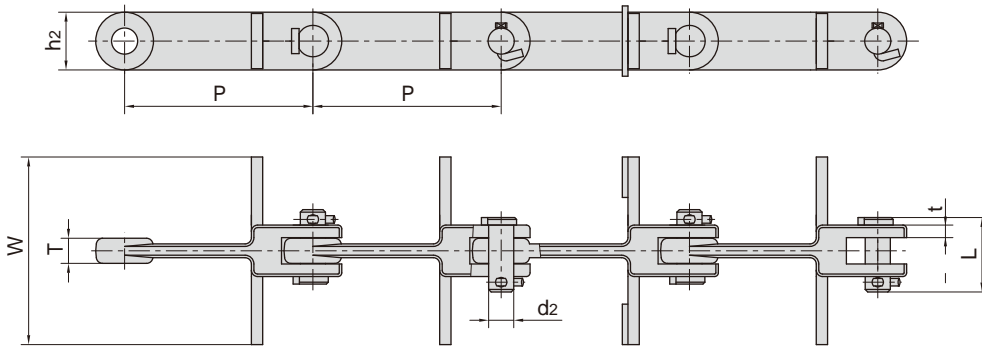


东华链号 Donghua Chain No.	节距	内节内宽	滚子直径	销轴直径	销轴长度	内链板高度	链板厚度	附板尺寸				抗拉强度	每米重量
	Pitch	Width between inner plates	Roller diameter	Pin diameter	Pin length	Inner Plate depth	Plate thickness	Attachment dimension				Tensile strength	Weight per meter
	P	b1 min	d1	d2 max	Lc max	h2 max	t/T	h4	S	2X	t1	Q	q
	mm	mm	mm	mm	mm	mm	mm	mm	mm	mm	mm	kN/lbf	kg/m
RF6205MF13	152.4	37.1	38.1	15.9	83.5	45.0	8.0	57.0	44.0	240.0	12.0	237.0/53278	14.54

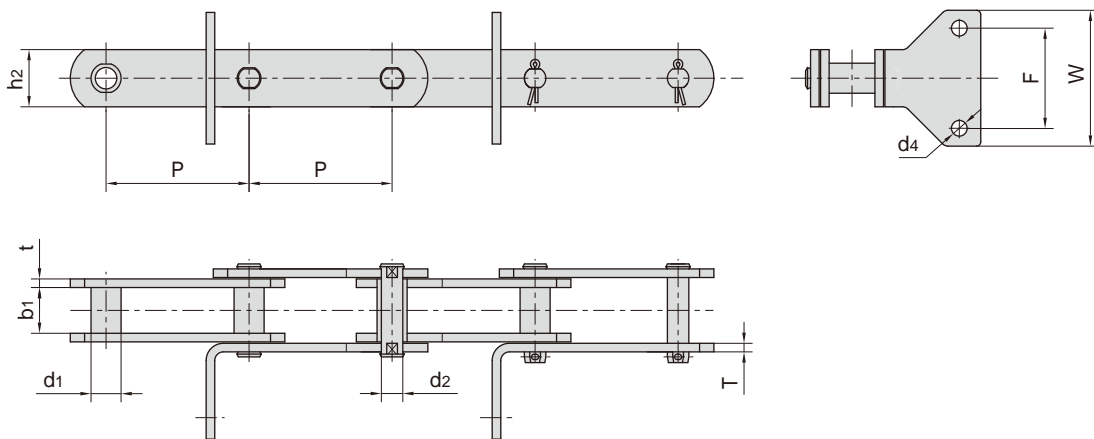


东华链号 Donghua Chain No.	节距	内节内宽	套筒直径	销轴直径	销轴长度	链板高度	链板厚度	附板尺寸				抗拉强度	每米重量
	Pitch	Width between inner plates	Bush diameter	Pin diameter	Pin length	Plate depth	Plate thickness	Attachment dimension				Tensile strength	Weight per meter
	P	b1 min	d1 max	d2 max	L max	h2	t / T	C	F	W	d4	Q	q
	mm	mm	mm	mm	mm	mm	mm	mm	mm	mm	mm	kN/lbf	kg/m
M315F51-B-200	200.0	48.0	36.0	25.0	107.0	70.0	10.0	120.0	95.0	145.0	13.0	450/102273	21.94

刮板输送链 Scraper conveyor chains

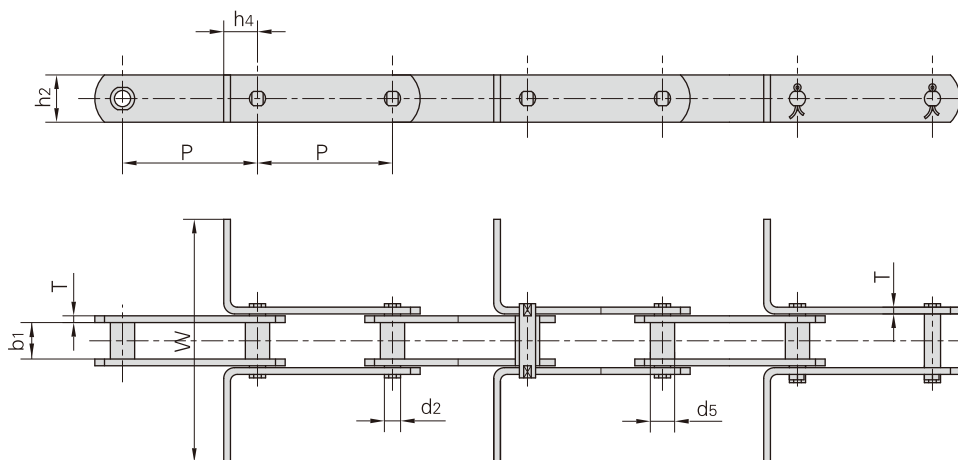


东华链号 Donghua Chain No.	节距 Pitch	销轴直径 Pin diameter	链板高度 Plate depth	销轴长度 Pin Length	链板厚度 Plate thickness	附板尺寸 Attachment dimension	抗拉强度 Tensile strength	每米重量 Weight per meter
	P	d_2 max	h_2	L	T/t	W	Q	q
	mm	mm	mm	mm	mm	mm	kN/lbf	kg/m
MCL267-150-T	150.0	20.0	46.0	59.3	20 / 10	220.0	267/60000	11.4



东华链号 Donghua Chain No.	节距 Pitch	内节内宽 Width between inner plates	套筒直径 Bush diameter	销轴直径 Pin diameter	链板高度 Plate depth	链板厚度 Plate thickness	附板尺寸 Attachment dimension			抗拉强度 Tensile strength	每米重量 Weight per meter
	P	b_1	d_1	d_2	h_2	T	F	W	d_4	Q	q
	mm	mm	mm	mm	mm	mm	mm	mm	mm	kN/lbf	kg/m
MR112F21-B-100	100.0	32.0	21.0	15.0	40.0	6.0	70.0	90.0	11.0	95.2/21413	7.45

刮板输送链 Scraper conveyor chains

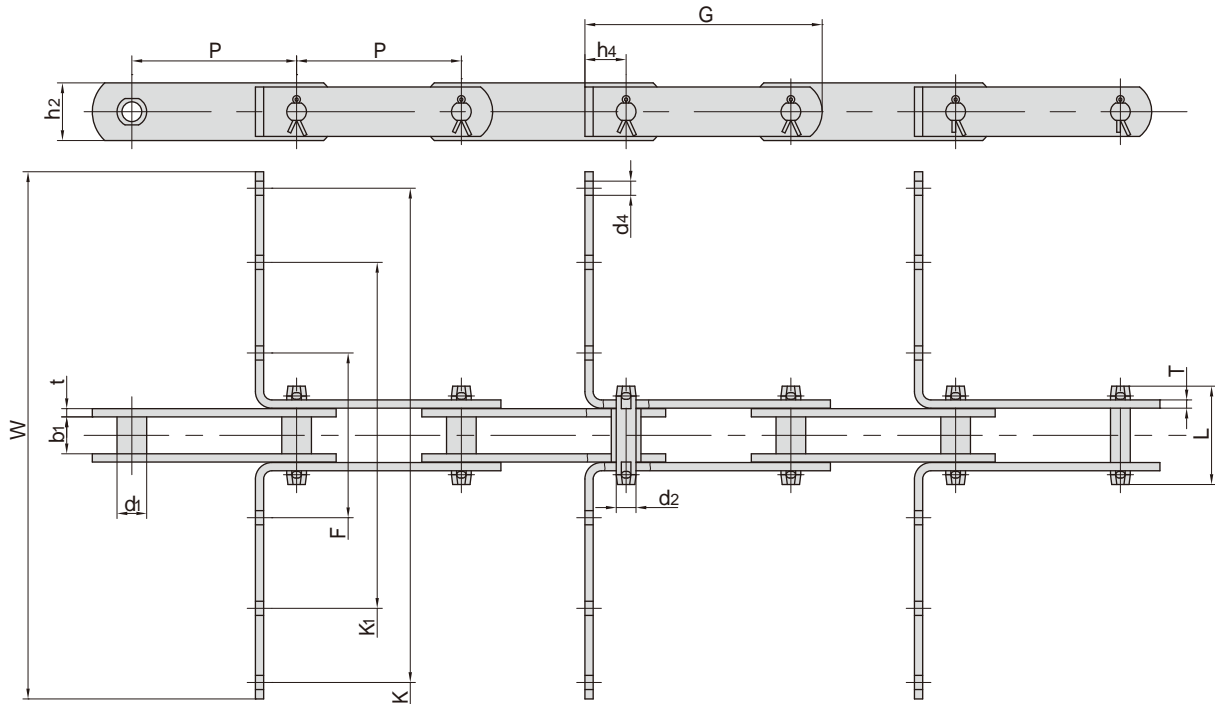


东华链号 Donghua Chain No.	P			b1 min	d2 max	d5 max	h4	h2 max	T max	W	Q min
	mm			mm	mm	mm	mm	mm	mm	mm	kN/lbf
MR56	100	125	-	24.0	10.0	15.0	20.0	30.0	4.0	•	56.0/12727
MR80	100	125	160	28.0	12.0	18.0	25.0	35.0	5.0	•	80.0/18182
MR112	100	125	160	32.0	15.0	21.0	35.0	40.0	6.0	•	112.0/25454
MR160	100	125	160	37.0	18.0	25.0	40.0	50.0	7.0	•	160.0/36364
MR224	125	160	200	43.0	21.0	30.0	44.0	60.0	8.0	•	224.0/50909
MR315	160	200	250	48.0	25.0	36.0	50.0	70.0	10.0	•	315.0/71591

东华链号 Donghua Chain No.	P			b1 min	d2 max	d5 max	h4	h2 max	T max	W	Q min
	mm			mm	mm	mm	mm	mm	mm	mm	kN/lbf
FVR40	80	100	125	18.0	10.0	15.0	20.0	25.0	3.0	•	42.0/9545
FVR63	100	125	160	22.0	12.0	18.0	25.0	30.0	4.0	•	64.0/14545
FVR90	100	125	160	25.0	14.0	20.0	30.0	35.0	5.0	•	100.0/22727
FVR112	100	125	160	30.0	16.0	22.0	35.0	40.0	6.0	•	120.0/27272
FVR140	125	160	200	35.0	18.0	26.0	38.0	45.0	6.0	•	145.0/32954
FVR180	125	160	200	45.0	20.0	30.0	44.0	50.0	8.0	•	190.0/43181
FVR250	160	200	250	55.0	26.0	36.0	50.0	60.0	8.0	•	275.0/62499

- 表示自由尺寸(根据客户要求定)
- Dimensions are specified by the customer

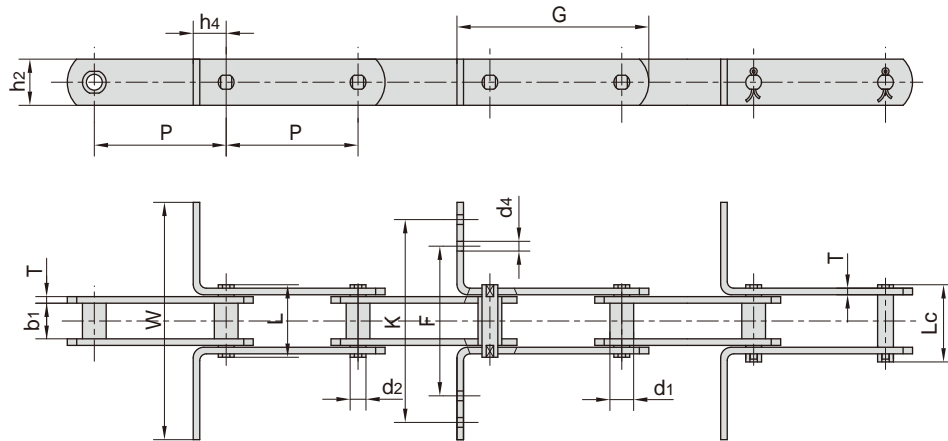
刮板输送链 Scraper conveyor chains



东华链号 Donghua Chain No.	节距 Pitch	套筒直径 Bush diameter	内节内宽 Width between inner plates	销轴直径 Pin diameter	销轴长度 Pin length	抗拉强度 Tensile strength	平均抗拉强度 Average tensile strength	每米长重 Weight per meter
	P	d1 max	b1 min	d2 max	L max	Q min	Q ₀	q
	mm	mm	mm	mm	mm	kN/lbf	kN	kg/m
PR100F8	100.00	18.00	22.00	12.00	64.00	98.00/22030	107.80	6.10
PR100F5	100.00	18.00	22.00	12.00	62.00	98.00/22030	107.80	5.70
PR100F3	100.00	18.00	22.00	12.00	60.00	98.00/22030	107.80	5.20
PR100F9	100.00	18.00	22.00	12.00	64.00	98.00/22030	107.80	6.70
PR100F6	100.00	18.00	22.00	12.00	62.00	98.00/22030	107.80	6.30
PR100F4	100.00	18.00	22.00	12.00	60.00	98.00/22030	107.80	5.70

东华链号 Donghua Chain No.	G	F	W	K ₁	K	h ₄	h ₂	d ₄	t/T
	mm	mm	mm	mm	mm	mm	mm	mm	mm
PR100F8	144.00	100.00	230.00	-	210.00	25.00	35.00	10.30	6.00
PR100F5	144.00	100.00	230.00	-	210.00	25.00	35.00	10.30	5.00/6.00
PR100F3	144.00	100.00	230.00	-	210.00	25.00	35.00	10.30	5.00
PR100F9	144.00	100.00	320.00	210.00	300.00	25.00	35.00	10.30	6.00
PR100F6	144.00	100.00	320.00	210.00	300.00	25.00	35.00	10.30	5.00/6.00
PR100F4	144.00	100.00	320.00	210.00	300.00	25.00	35.00	10.30	5.00

刮板输送链 Scraper conveyor chains

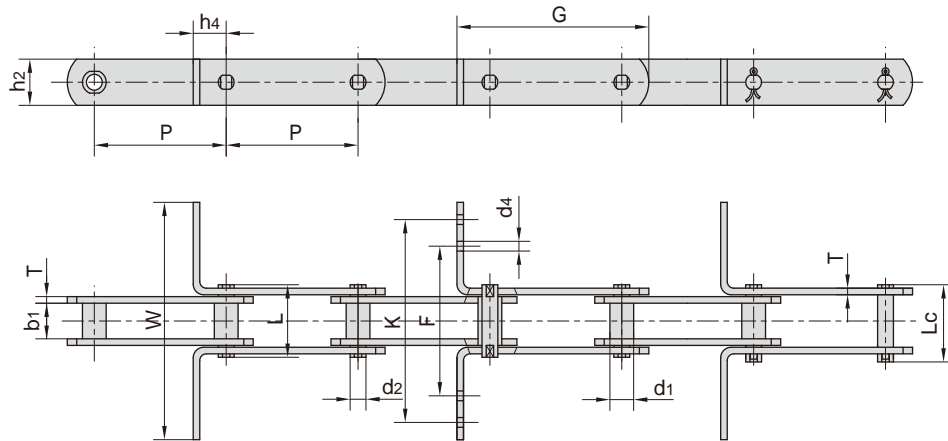


东华链号 Donghua Chain No.	节距 Pitch	套筒直径 Bush diameter	内节内宽 Width between inner plates	销轴直径 Pin diameter	销轴长度 Pin length		抗拉强度 Tensile strength	平均抗拉强度 Average tensile trength	每米长重 Weight per meter
	P	d1 max	b1 min	d2 max	L max	Lc max	Q min	Q0	q
	mm	mm	mm	mm	mm	mm	kN/lbf	kN	kg/m
P66.5F1	66.5	22.0	27.00	12.00	63.3	-	120.0/26976	132.0	...
FVR40F5-P-80	80.0	32.0*	18.00	10.00	36.0	40.0	40.0/8992	44.0	3.20
MR22F1-B-100	100.0	12.0	12.50	8.00	30.6	34.0	22.0/4946	24.2	1.77
MR112F7-S-100	100.0	30.0*	32.00	15.00	64.5	69.0	112.0/25179	123.2	8.95
MR112F8-S-100	100.0	30.0*	32.00	15.00	64.5	69.0	112.0/25179	123.2	9.53
MR160F7-S-100	100.0	36.0*	37.00	18.00	75.7	84.7	160.0/36000	176.0	15.87
MR160F8-S-100	100.0	36.0*	37.00	18.00	75.7	84.7	160.0/36000	176.0	13.80
MR160F11-S-100	100.0	36.0*	37.00	19.60	75.7	84.7	160.0/36000	176.0	13.85
MR160F10-B-100	100.0	25.0	37.00	19.70	75.7	84.7	160.0/36000	176.0	13.16
M80-P100F1	100.0	18.0	28.00	12.00	55.0	58.5	80.0/18162	88.0	5.19
M180-P-100	100.0	26.0	28.85	18.00	62.5	-	180.0/40909	198.0	10.25
FVR40F4-B-100	100.0	15.0	18.00	10.00	40.0	43.5	40.0/8992	44.0	2.88
FVR40F6-B-100	100.0	15.0	18.00	10.00	36.0	40.0	40.0/8992	44.0	2.10
FVR63F2-B-100	100.0	18.0	22.00	12.00	46.0	50.0	64.0/14387	70.4	3.70
FVR63F3-B-100	100.0	18.0	22.00	12.00	46.0	50.0	64.0/11240	70.4	3.90
FVR90F8-B-100	100.0	20.0	25.00	14.00	-	56.4	65.0/14612	71.5	7.80
MR112F19-B-100	100.0	21.0	32.00	15.00	64.5	69.0	112.0/27272	123.2	8.30
MR160F16-S-100	100.0	36.0*	37.00	18.00	75.7	84.7	160.0/36000	176.0	13.70
MR160F20-S-100	100.0	25.0	37.00	18.00	75.7	84.7	160.0/36000	176.0	13.74
P100F16	100.0	23.0	28.00	16.00	66.0	-	115.0/26136	127.0	6.60
P101.6	101.6	44.5	50.80	23.84	136.5	-	600.0/136362	660.0	34.96
PR101.6F1	101.6	24.6	50.80	15.88	98.0	103.0	180.0/40909	198.0	12.10
MR224F1-S-125	125.0	42.0*	43.00	21.00	85.0	91.0	224.0/50357	246.4	17.92
M310-P-125	125.0	40.0*	52.00	20.00	103.4	109.4	303.8/69045	334.0	19.88
M310F1-P-125	125.0	40.0*	52.00	20.00	103.4	109.4	303.8/69045	334.0	24.88

*表示滚子外径

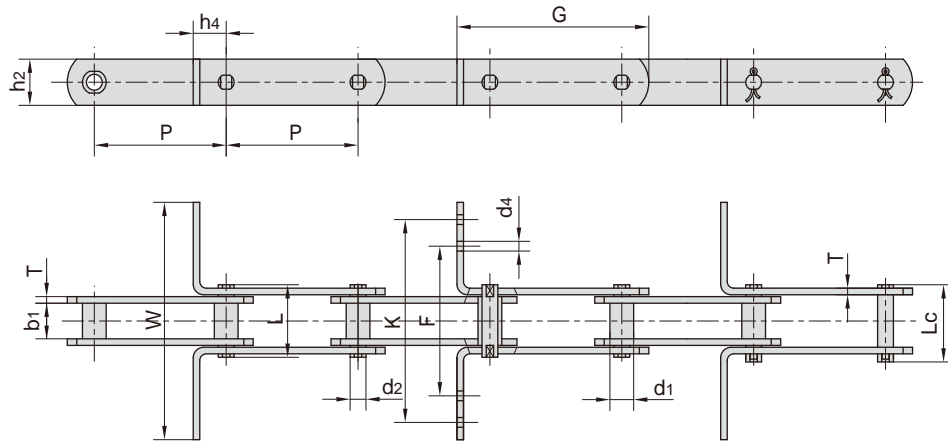
*Indicates the external diameter of roller

刮板输送链 Scraper conveyor chains



东华链号 Donghua Chain No.	G	F	W	K	h_4	h_2	d_4	T
	mm	mm	mm	mm	mm	mm	mm	mm
P66.5F1	112.0	100.0	160.0	-	28.75	29.0	13.0 × 25.0	6.0
FVR40F5-P-80	104.0	-	80.0	-	20.00	25.0	-	3.0
MR22F1-B-100	132.7	-	150.0	-	16.40	22.0	-	3.0
MR112F7-S-100	160.0	120.0	235.0	205.0	35.00	40.0	12.0	6.0
MR112F8-S-100	160.0	-	285.0	-	35.00	40.0	-	6.0
MR160F7-S-100	170.0	125.0	386.0	356.0	40.00	50.0	12.0	7.0
MR160F8-S-100	170.0	115.0	235.0	205.0	40.00	50.0	18.0	7.0
MR160F11-S-100	170.0	115.0	235.0	205.0	40.00	50.0	19.7	7.0
MR160F10-B-100	170.0	140.0	290.0	260.0	40.00	50.0	19.7	7.0
M80-P100F1	145.5	-	180.0	-	25.00	35.0	-	5.0
M180-P-100	163.0	-	185.0	-	35.00	50.0	-	6.0
FVR40F4-B-100	134.5	-	200.0	-	20.00	25.0	-	4.0
FVR40F6-B-100	140.0	-	130.0	-	25.00	25.0	-	3.0
FVR63F2-B-100	142.5	-	190.0	-	25.00	30.0	-	4.0
FVR63F3-B-100	142.5	-	230.0	-	25.00	30.0	-	4.0
FVR90F8-B-100	145.0	-	250.0	-	25.00	35.0	-	5.0
MR160F20-B-100	165.0	-	280.0	-	40.00	50.0	-	7.0
PR101.6F1	165.8	134.0	223.0	196.0	40.00	38.1	11.1	9.7
MR80F5-B-125	170.0	-	280.0	-	25.00	35.0	-	5.0
P100F16	143.0	91.8	180.0	159.8	25.00	36.0	6.5	6.0
P101.6	198.6	-	206.5	-	62.00	60.0	-	14.5
MR80F7-B-125	170.0	91.5	180.0	156.5	25.00	35.0	6.6	5.0
MR224F1-S-125	203.0	-	235.0	-	44.00	60.0	-	8.0
M310-P-125	195.0	-	270.0	-	35.00	55.0	-	10.0
M310F1-P-125	195.0	-	560.0	-	35.00	55.0	-	10.0

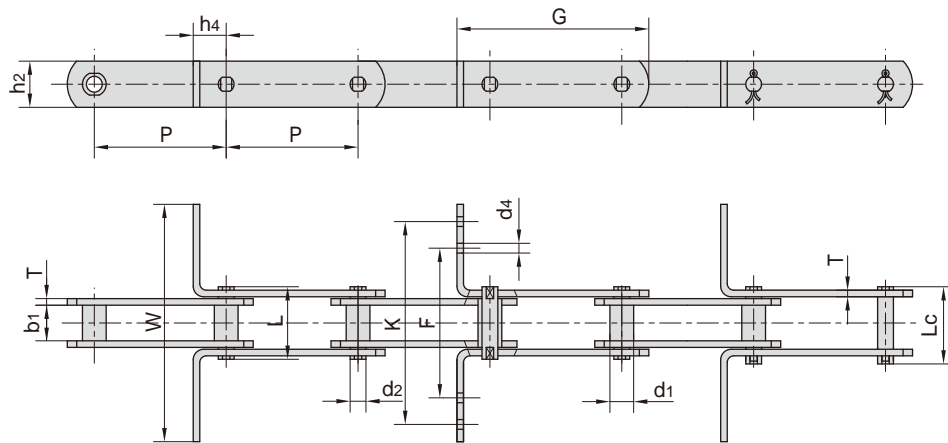
刮板输送链 Scraper conveyor chains



东华链号 Donghua Chain No.	节距 Pitch	套筒直径 Bush diameter	内节内宽 Width between inner plates	销轴直径 Pin diameter	销轴长度 Pin length		抗拉强度 Tensile strength	平均抗拉强度 Average tensile length	每米长重 Weight per meter
	P	d1 max	b1 min	d2 max	L max	Lc max	Q min	Q0	q
	mm	mm	mm	mm	mm	mm	kN/lbf	kN	kg/m
FVR90F1-B-125	125.0	20.0	25.00	14.00	52.0	56.4	150.0/33743	165.0	6.16
P125F3	125.0	25.0	36.00	18.00	82.0	-	220.0/49999	242.0	11.17
P125F4	125.0	25.0	36.00	18.00	82.0	-	220.0/49999	242.0	9.83
MR80F5-B-125	125.0	18.0	28.00	12.00	55.0	58.5	80.0/18162	88.0	5.24
MR80F7-B-125	125.0	18.0	28.00	12.00	55.4	60.0	80.0/17984	88.0	5.00
MR80F8-B-125	125.0	18.0	28.00	12.00	59.4	64.0	112.0/27272	123.2	6.30
MR112F11-B-125	125.0	25.0	20.00	19.05	49.0	56.0	112.0/27272	123.2	5.71
MR112F18-B-125	125.0	21.0	32.00	15.00	64.5	69.0	112.0/27272	123.2	7.60
MR160F13-B-125	125.0	25.0	37.00	18.00	75.7	84.7	160.0/36000	176.0	7.90
MR160F18-B-125	125.0	25.0	37.00	18.00	75.7	84.7	160.0/36000	176.0	11.90
MR112F20-B-125	125.0	21.0	32.00	15.00	-	72.5	112.0/27272	123.2	8.52
M310F1-P-150	150.0	40.0*	52.00	20.00	103.4	109.4	303.8/69045	334.0	19.13
PR150F3	150.0	30.0	38.00	21.00	-	83.00	200.0/44960	220.0	...
FVR112F4-P-150	150.0	46.0*	20.00	16.00	52.0	56.0	112.0/25454	123.2	6.60
MR112F15-B-150	150.0	21.0	32.00	15.00	64.5	69.0	112.0/27272	123.2	6.95
MR112F16-B-150	150.0	21.0	32.00	15.00	64.5	69.0	112.0/27272	123.2	6.69
FVR112F3-B-155	155.0	22.0	65.00	16.00	109.0	-	120.0/26977	132.0	7.13
MR160F4-S-160	160.0	36.0*	37.00	18.00	85.0	-	160.0/36000	176.0	11.39
FVR180F2-B-160	160.0	30.0	49.00	20.00	91.0	97.0	250.0/56203	275.0	15.53
P160F12	160.0	50.0*	34.00	20.00	77.8	-	160.0/35993	176.0	10.30
MR80F3-B-160	160.0	18.0	28.00	12.00	55.0	58.5	80.0/18162	88.0	4.90
MR450F1-S-200	200.0	60.0*	56.00	30.00	119.0	132.0	450.0/101165	495.0	35.23

*表示滚子外径
*Indicates the external diameter of roller

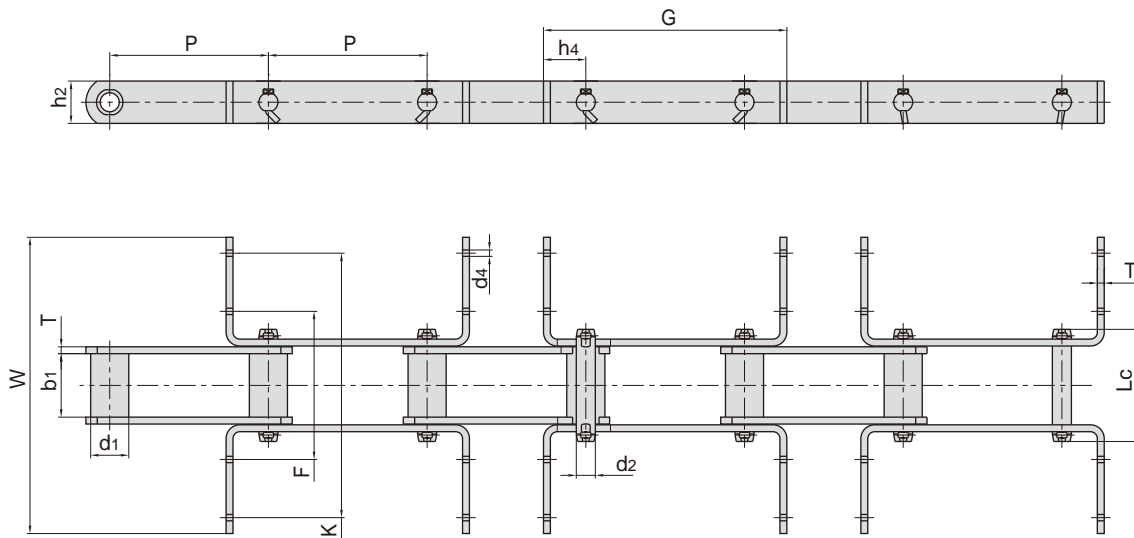
刮板输送链 Scraper conveyor chains



东华链号 Donghua Chain No.	G	F	W	K	h_4	h_2	d_4	T
	mm	mm	mm	mm	mm	mm	mm	mm
FVR90F1-B-125	175.0	90.0	290.0	270.0	30.0	40.0	9.0	5.0
P125F3	190.0	139.5	290.0	259.5	35.0	51.0	8.5	6.0
P125F4	190.0	119.5	220.0	191.5	35.0	51.0	8.5	6.0
MR160F16-S-100	170.0	118.0	235.0	208.0	40.0	50.0	12.0	7.0
MR80F8-B-125	175.0	92.0	280.0	252.0	30.0	35.0	6.5	6.0
MR112F11-B-125	184.0	90.0	190.0	160.0	35.0	40.0	7.0	5.0
MR112R18-B-125	185.0	-	235.0	-	35.0	40.0	-	6.0
MR112F19-B-100	185.0	-	235.0	-	35.0	40.0	-	6.0
MR112F20-B-125	185.0	-	240.0	-	35.0	40.0	-	6.0
MR160F13-B-125	195.0	-	230.0	-	40.0	50.0	-	7.0
MR160F18-B-125	195.5	-	320.0	-	40.0	50.0	-	7.0
M310F1-P-150	220.0	-	350.0	-	40.0	50.0	-	10.0
PR150F3	234.0	98.0	210.0	250.0	50.0	56.0	11.0	8.0
FVR112F4-P-150	203.0	83.0	109.0	-	28.0	40.0	10.0	6.0
MR80F3-B-160	205.0	-	320.0	-	25.0	35.0	-	5.0
MR112F15-B-150	210.0	120.0	280.0	240.0	35.0	40.0	9.0	6.0
FVR112F3-B-155	207.5	-	250.0	-	30.0	40.0	-	6.0
MR160F4-S-160	248.5	140.0	300.0	250.0	63.5	50.0	18.0	7.0
FVR180F2-B-160	230.0	248.0	368.0	308.0	35.0	60.0	8.0	8.0
P160F12	230.0	-	214.5	-	40.0	50.0	-	6.0
MR112F16-B-150	210.0	100.0	240.0	200.0	35.0	40.0	9.0	6.0
MR450F1-S-200	307.0	-	488.0	-	60.0	80.0	-	12.0

刮板输送链

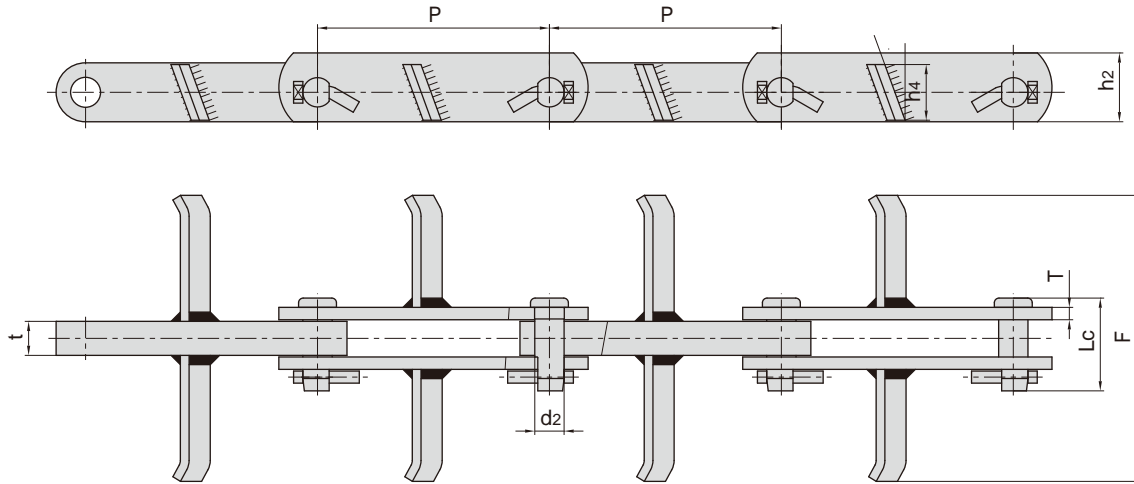
Scraper conveyor chains



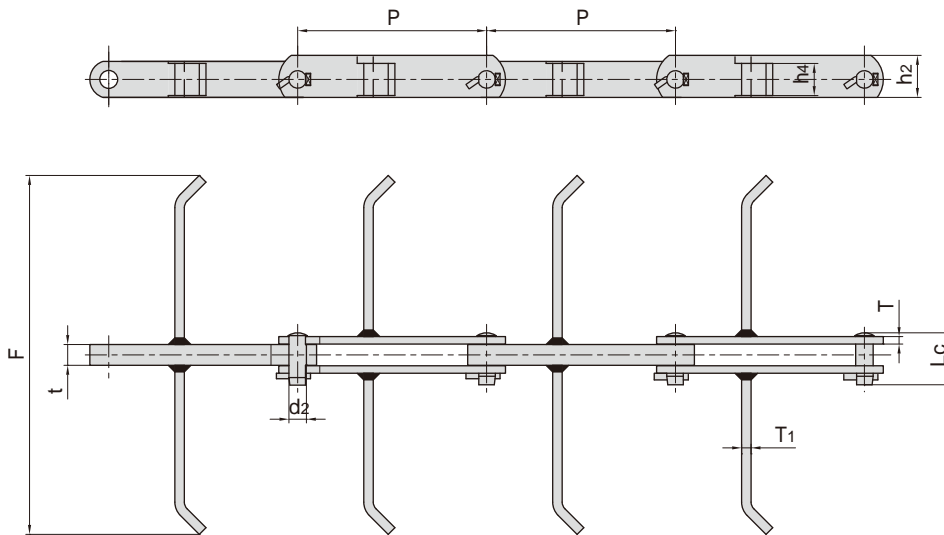
东华链号 Donghua Chain No.	节距 Pitch	套筒直径 Bush diameter	内节内宽 Width between inner plates	销轴直径 Pin diameter	销轴长度 Pin length	抗拉强度 Tensile strength	平均抗拉强度 Average tensile strength	每米长重 Weight per meter
	P	d1 max	b1 min	d2 max	Lc max	Q min	Q ₀	q
	mm	mm	mm	mm	mm	kN/lbf	kN	kg/m
PR150F4	150.0	36.0	60.00	18.00	106.00	160.0/35968	176.00	11.50
P150F147	150.0	36.0	55.00	25.40	116.00	330.0/74184	363.00	27.80

东华链号 Donghua Chain No.	G	F	W	K	h ₄	h ₂	d ₄	T
	mm	mm	mm	mm	mm	mm	mm	mm
	PR150F4	230.0	140.0	280.0	250.0	40.0	40.0	6.0
P150F147	236.0	-	380.0	-	43.0	60.0	-	8.0

刮板输送链 Scraper conveyor chains



东华链号 Donghua Chain No.	节距 Pitch	销轴直径 Pin diameter	销轴长度 Pin length	链板高度 Inner plate depth	链板厚度 Plate thickness	附板尺寸 Attachment dimension			抗拉强度 Tensile strength	平均抗拉强度 Average tensile strength	每米长重 Weight per meter
	P	d2 max	Lc max	h2 max	t/T max	F	h4		Q min	Qo min	q
	mm	mm	mm	mm	mm	mm	mm	mm	kN/lbf	mm	kg/m
BC150F1	150.0	18.95	60.0	44.5	22.0/7.9	185.0	36.0	20 °	280.6/63081	308.7	8.90



东华链号 Donghua Chain No.	节距 Pitch	销轴直径 Pin diameter	销轴长度 Pin length	链板高度 Inner plate depth	链板厚度 Plate thickness	附板尺寸 Attachment dimension			抗拉强度 Tensile strength	平均抗拉强度 Average tensile strength	每米长重 Weight per meter
	P	d2 max	Lc max	h2 max	t/T max	F	T1	h4	Q min	Qo min	q
	mm	mm	mm	mm	mm	mm	mm	mm	kN/lbf	mm	kg/m
BC200F5	200.0	18.50	56.0	44.5	22.0/7.9	380.0	10.0	34.0	280.6/63081	308.7	11.90